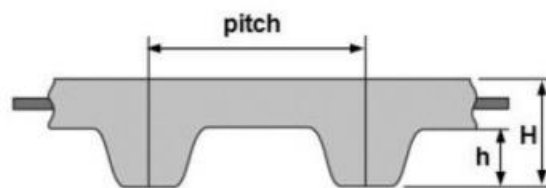
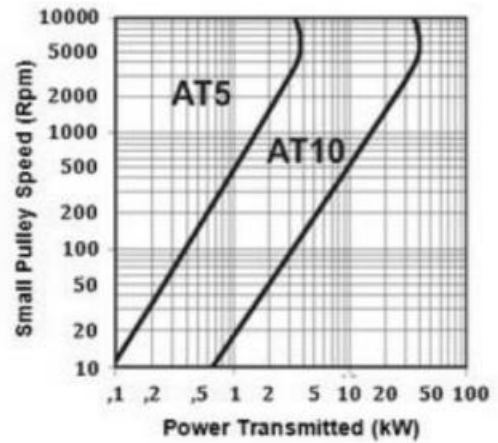
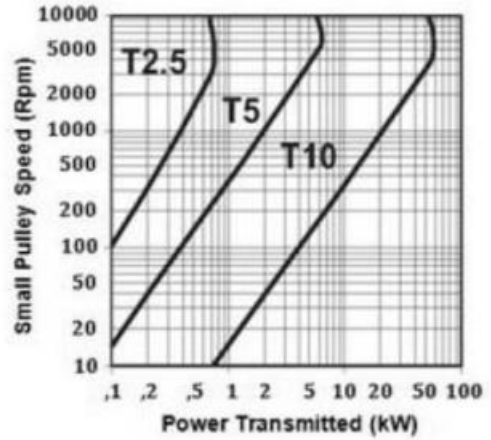
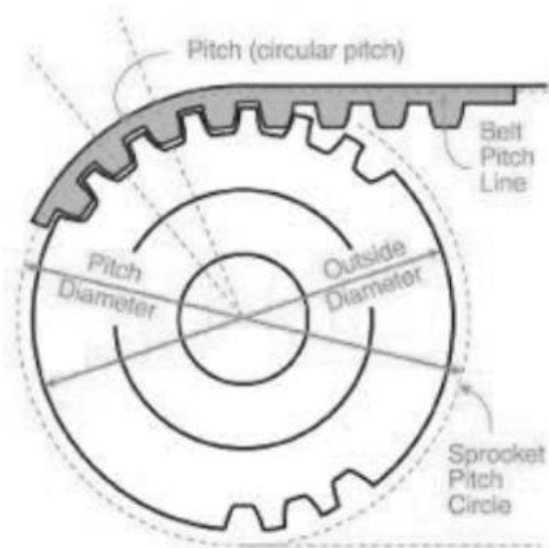


KY

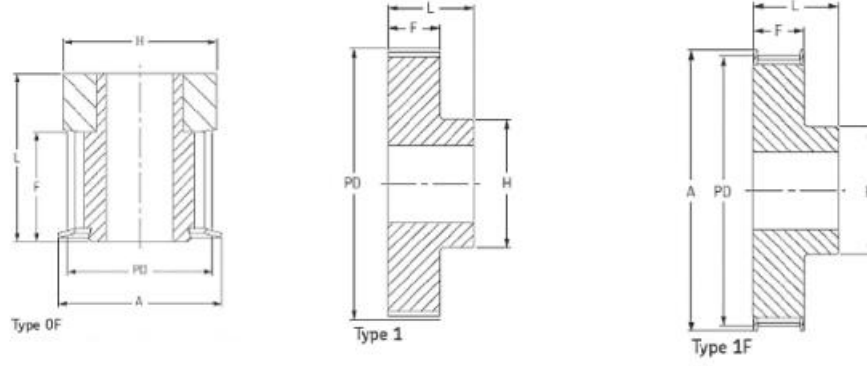
METRİK ADIMLI TRİGER KASNAKLAR





| TiP Type | ADIM (P) Pitch mm | h | H | a° |
|----------|-------------------|------|------|----|
| T 2,5 | 2,5 | 0,70 | 1,30 | 40 |
| T 5 | 5 | 1,20 | 2,20 | 40 |
| T 10 | 10 | 2,50 | 4,50 | 40 |
| AT 5 | 5 | 1,20 | 2,50 | 50 |
| AT 10 | 10 | 2,70 | 4,50 | 50 |

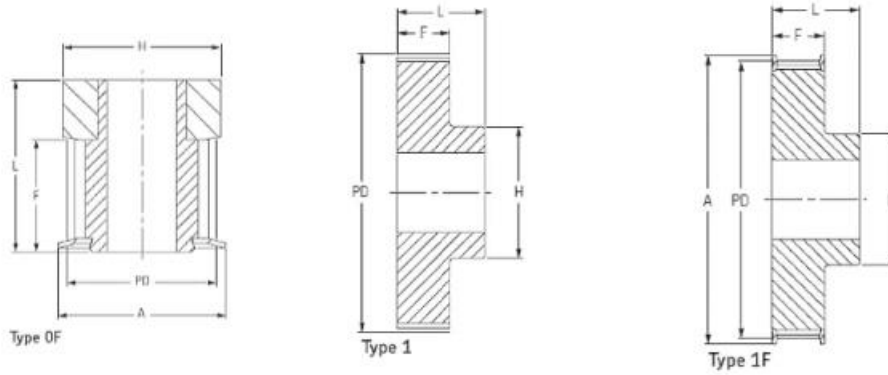
T2,5-AT2,5 ADIMLI METRİK TRİGER KASNAKLAR
(T2,5-AT2,5 PITCH METRIC TIMING BELT PULLEYS)
PİLOT DELİKLİ / Pilot Bore



T2,5-AT2,5 Kayış Geniřlięi 4-6 mm- Belt With 4-6 mm

| Dİř SAYISI No teeth | ÇAP Diameter | | TİP Type | DELİK Bore | | BOYUTLAR Dimension | | |
|------------------------|--------------|---------|-------------|------------|------------|--------------------|---------|---------|
| | P.D. mm | A mm | | Min. mm | Max. mm | H mm | F mm | L mm |
| 10 | 7,96 | 10 | 0F | - | 3 | 10 | 10 | 16 |
| 11 | 8,75 | 12 | 0F | - | 3 | 11 | 10 | 16 |
| 12 | 9,54 | 13 | 0F | - | 4 | 13 | 10 | 16 |
| 13 | 10,35 | 14 | 0F | - | 4 | 14 | 10 | 16 |
| 14 | 11,14 | 15 | 0F | - | 5 | 15 | 10 | 16 |
| 15 | 11,94 | 15 | 0F | - | 6 | 15 | 10 | 16 |
| 16 | 12,73 | 16 | 0F | - | 7 | 16 | 10 | 16 |
| 17 | 13,53 | 17 | 0F | 4 | 7 | 16 | 10 | 16 |
| 18 | 14,32 | 18 | 1F | 4 | 7 | 10 | 10 | 16 |
| 19 | 15,12 | 18 | 1F | 4 | 7 | 10 | 10 | 16 |
| 20 | 15,92 | 20 | 1F | 4 | 7 | 11 | 10 | 16 |
| 21 | 16,71 | 20 | 1F | 4 | 7 | 11 | 10 | 16 |
| 22 | 17,51 | 23 | 1F | 4 | 7 | 10 | 10 | 16 |
| 23 | 18,30 | 23 | 1F | 4 | 8 | 12 | 10 | 16 |
| 24 | 19,10 | 23 | 1F | 4 | 8 | 12 | 10 | 16 |
| 25 | 19,89 | 23 | 1F | 4 | 9 | 13 | 10 | 16 |
| 26 | 20,69 | 25 | 1F | 4 | 9 | 14 | 10 | 16 |
| 27 | 21,49 | 25 | 1F | 4 | 9 | 14 | 10 | 16 |
| 28 | 22,28 | 25 | 1F | 4 | 9 | 14 | 10 | 16 |
| 30 | 23,87 | 28 | 1F | 6 | 10 | 16 | 10 | 16 |
| 32 | 25,46 | 32 | 1F | 6 | 10 | 16 | 10 | 16 |
| 35 | 27,85 | 36 | 1F | 6 | 10 | 18 | 10 | 16 |
| 36 | 28,65 | 36 | 1F | 6 | 13 | 20 | 10 | 16 |
| 38 | 30,24 | 38 | 1F | 6 | 13 | 22 | 10 | 16 |
| 40 | 31,83 | 38 | 1F | 6 | 13 | 22 | 10 | 16 |
| 42 | 33,42 | 42 | 1F | 6 | 15 | 24 | 10 | 16 |
| 44 | 35,01 | - | 1 | 6 | 15 | 24 | 10 | 16 |
| 45 | 35,81 | - | 1 | 6 | 17 | 26 | 10 | 16 |
| 48 | 38,20 | - | 1 | 6 | 17 | 26 | 10 | 16 |
| 54 | 42,97 | - | 1 | 6 | 19 | 30 | 10 | 16 |
| 57 | 45,36 | - | 1 | 8 | 19 | 32 | 10 | 16 |
| 60 | 47,75 | - | 1 | 8 | 22 | 34 | 10 | |

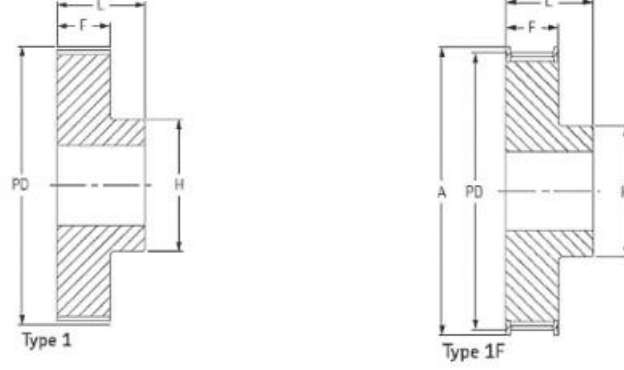
T2,5-AT2,5 ADIMLI METRİK TRİGER KASNAKLAR
(T2,5-AT2,5 PITCH METRIC TIMING BELT PULLEYS)
PİLOT DELİKLİ / Pilot Bore



T2,5-AT2,5 Kayış Geniřliđi 10 mm- Belt With 10 mm

| DİŐ SAYISI No teeth | ÇAP Diameter | | TİP Type | DELİK Bore | | BOYUTLAR Dimension | | |
|---------------------------|--------------|---------|-------------|------------|------------|--------------------|---------|---------|
| | P.D. mm | A mm | | Min. mm | Max. mm | H mm | F mm | L mm |
| 10 | 7,96 | 10 | OF | 3 | 3 | 10 | 14 | 20 |
| 11 | 8,75 | 12 | OF | 3 | 3 | 11 | 14 | 20 |
| 12 | 9,54 | 13 | OF | 3 | 4 | 13 | 14 | 20 |
| 13 | 10,35 | 14 | OF | 3 | 4 | 14 | 14 | 20 |
| 14 | 11,14 | 14 | OF | 3 | 5 | 15 | 14 | 20 |
| 15 | 11,94 | 15 | OF | 3 | 6 | 15 | 14 | 20 |
| 16 | 12,73 | 16 | OF | 4 | 7 | 16 | 14 | 20 |
| 17 | 13,53 | 17 | 1F | 4 | 7 | 16 | 14 | 20 |
| 18 | 14,32 | 17 | 1F | 4 | 7 | 10 | 14 | 20 |
| 19 | 15,12 | 18 | 1F | 4 | 7 | 10 | 14 | 20 |
| 20 | 15,92 | 19 | 1F | 4 | 7 | 11 | 14 | 20 |
| 21 | 16,71 | 20 | 1F | 4 | 7 | 11 | 14 | 20 |
| 22 | 17,51 | 22 | 1F | 4 | 7 | 10 | 14 | 20 |
| 23 | 18,30 | 22 | 1F | 4 | 8 | 12 | 14 | 20 |
| 24 | 19,10 | 22 | 1F | 4 | 8 | 12 | 14 | 20 |
| 25 | 19,89 | 24 | 1F | 4 | 9 | 13 | 14 | 20 |
| 26 | 20,69 | 26 | 1F | 4 | 9 | 14 | 14 | 20 |
| 27 | 21,49 | 26 | 1F | 4 | 9 | 14 | 14 | 20 |
| 28 | 22,28 | 26 | 1F | 4 | 9 | 14 | 14 | 20 |
| 30 | 23,87 | 28 | 1F | 6 | 10 | 16 | 14 | 20 |
| 32 | 25,46 | 28 | 1F | 6 | 10 | 16 | 14 | 20 |
| 35 | 27,85 | 32 | 1F | 6 | 10 | 18 | 14 | 20 |
| 36 | 28,65 | 32 | 1F | 6 | 13 | 20 | 14 | 20 |
| 38 | 30,24 | 34 | 1F | 6 | 13 | 22 | 14 | 20 |
| 40 | 31,83 | 35 | 1F | 6 | 13 | 22 | 14 | 20 |
| 42 | 33,42 | - | 1 | 6 | 15 | 24 | 14 | 20 |
| 44 | 35,01 | - | 1 | 6 | 15 | 24 | 14 | 20 |
| 45 | 35,81 | - | 1 | 6 | 17 | 26 | 14 | 20 |
| 48 | 38,20 | - | 1 | 6 | 17 | 26 | 14 | 20 |
| 54 | 42,97 | - | 1 | 6 | 19 | 30 | 14 | 20 |
| 57 | 45,36 | - | 1 | 8 | 19 | 32 | 14 | 20 |
| 60 | 47,75 | - | 1 | 8 | 22 | 34 | 14 | 20 |

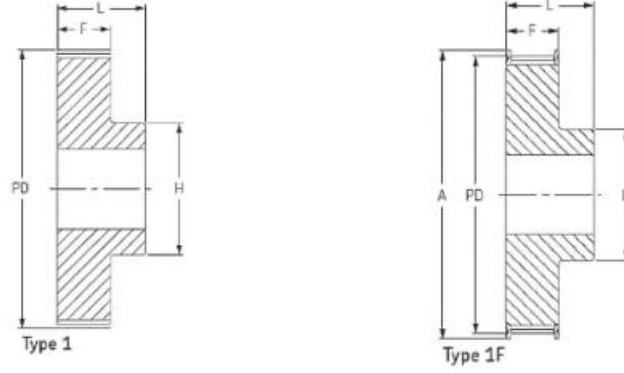
T5-AT5 ADIMLI METRİK TRİGER KASNAKLAR
(T5-AT5 PITCH METRIC TIMING BELT PULLEYS)
PİLOT DELİKLİ / Pilot Bore



T5-AT5 Kayış Geniřliđi 10 mm- Belt With 10 mm

| Diř SAYISI No teeth | ÇAP Diameter | | TİP Type | DELİK Bore | | BOYUTLAR Dimension | | |
|------------------------|--------------|---------|-------------|------------|------------|--------------------|---------|---------|
| | P.D. mm | A mm | | Min. mm | Max. mm | H mm | F mm | L mm |
| 10 | 15,92 | 20 | 1F | 4 | 5 | 8 | 15 | 21 |
| 11 | 17,51 | 22 | 1F | 4 | 6 | 10 | 15 | 21 |
| 12 | 19,1 | 23 | 1F | 4 | 7 | 12 | 15 | 21 |
| 13 | 20,69 | 25 | 1F | 6 | 7,8 | 13 | 15 | 21 |
| 14 | 22,29 | 26 | 1F | 6 | 9 | 14 | 15 | 21 |
| 15 | 23,88 | 28 | 1F | 6 | 10 | 16 | 15 | 21 |
| 16 | 25,47 | 30 | 1F | 6 | 11 | 18 | 15 | 21 |
| 17 | 27,06 | 32 | 1F | 6 | 12 | 19 | 15 | 21 |
| 18 | 28,65 | 32 | 1F | 6 | 13 | 20 | 15 | 21 |
| 19 | 30,25 | 36 | 1F | 6 | 14 | 22 | 15 | 21 |
| 20 | 31,83 | 36 | 1F | 6 | 15 | 24 | 15 | 21 |
| 21 | 33,42 | 38 | 1F | 6 | 15 | 24 | 15 | 21 |
| 22 | 35,01 | 38 | 1F | 6 | 15 | 24 | 15 | 21 |
| 23 | 36,61 | 42 | 1F | 6 | 16 | 25 | 15 | 21 |
| 24 | 38,21 | 44 | 1F | 6 | 17 | 26 | 15 | 21 |
| 25 | 39,80 | 44 | 1F | 6 | 17 | 26 | 15 | 21 |
| 26 | 41,45 | 44 | 1F | 6 | 17 | 26 | 15 | 21 |
| 27 | 42,98 | 48 | 1F | 8 | 19 | 30 | 15 | 21 |
| 28 | 44,56 | 48 | 1F | 8 | 20 | 32 | 15 | 21 |
| 30 | 47,76 | 51 | 1F | 8 | 22 | 34 | 15 | 21 |
| 32 | 50,94 | 54 | 1F | 8 | 24 | 38 | 15 | 21 |
| 35 | 55,70 | 59 | 1F | 8 | 24 | 38 | 15 | 21 |
| 36 | 57,31 | 63 | 1F | 8 | 24 | 38 | 15 | 21 |
| 38 | 60,48 | 66 | 1F | 8 | 26 | 40 | 15 | 21 |
| 40 | 63,66 | 66 | 1F | 8 | 26 | 40 | 15 | 21 |
| 42 | 66,84 | 71 | 1 | 8 | 26 | 40 | 15 | 21 |
| 44 | 70,20 | - | 1 | 8 | 29 | 45 | 15 | 21 |
| 45 | 71,62 | - | 1 | 8 | 31 | 45 | 15 | 21 |
| 48 | 76,39 | - | 1 | 8 | 32 | 50 | 15 | 21 |
| 54 | 85,94 | - | 1 | 8 | 35 | 55 | 15 | 21 |
| 57 | 90,72 | - | 1 | 8 | 38 | 60 | 15 | 21 |
| 60 | 95,49 | - | 1 | 8 | 42 | 65 | 15 | 21 |

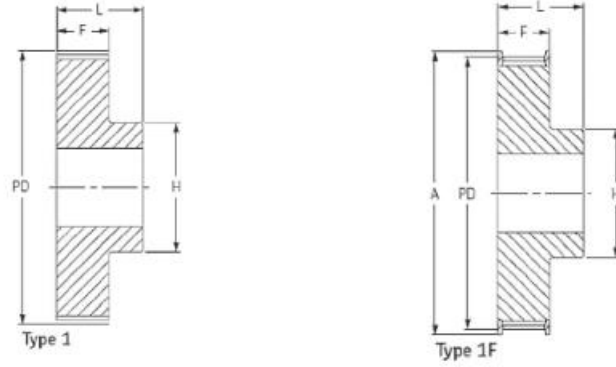
T5-AT5 ADIMLI METRİK TRİGER KASNAKLAR
(T5-AT5 PITCH METRIC TIMING BELT PULLEYS)
PİLOT DELİKLİ / Pilot Bore



T5-AT5 Kayış Geniřlięi 16 mm- Belt With 16 mm

| Diř SAYISI No teeth | ÇAP Diameter | | TİP Type | DELİK Bore | | BOYUTLAR Dimension | | |
|------------------------|--------------|----|-------------|------------|------|--------------------|----|----|
| | P.D. | A | | Min. | Max. | H | F | L |
| | mm | mm | | mm | mm | mm | mm | mm |
| 10 | 15,92 | 20 | 1F | 4 | 5 | 8 | 21 | 27 |
| 11 | 17,51 | 22 | 1F | 4 | 6 | 10 | 21 | 27 |
| 12 | 19,1 | 23 | 1F | 4 | 7 | 12 | 21 | 27 |
| 13 | 20,69 | 25 | 1F | 6 | 7,8 | 13 | 21 | 27 |
| 14 | 22,29 | 26 | 1F | 6 | 9 | 14 | 21 | 27 |
| 15 | 23,88 | 28 | 1F | 6 | 10 | 16 | 21 | 27 |
| 16 | 25,47 | 30 | 1F | 6 | 11 | 18 | 21 | 27 |
| 17 | 27,06 | 32 | 1F | 6 | 12 | 19 | 21 | 27 |
| 18 | 28,65 | 32 | 1F | 6 | 13 | 20 | 21 | 27 |
| 19 | 30,25 | 36 | 1F | 6 | 14 | 22 | 21 | 27 |
| 20 | 31,83 | 36 | 1F | 6 | 15 | 24 | 21 | 27 |
| 21 | 33,42 | 38 | 1F | 6 | 15 | 24 | 21 | 27 |
| 22 | 35,01 | 38 | 1F | 6 | 15 | 24 | 21 | 27 |
| 23 | 36,61 | 42 | 1F | 6 | 16 | 25 | 21 | 27 |
| 24 | 38,21 | 44 | 1F | 6 | 17 | 26 | 21 | 27 |
| 25 | 39,80 | 44 | 1F | 6 | 17 | 26 | 21 | 27 |
| 26 | 41,45 | 44 | 1F | 6 | 17 | 26 | 21 | 27 |
| 27 | 42,98 | 48 | 1F | 8 | 19 | 30 | 21 | 27 |
| 28 | 44,56 | 48 | 1F | 8 | 20 | 32 | 21 | 27 |
| 30 | 47,76 | 51 | 1F | 8 | 22 | 34 | 21 | 27 |
| 32 | 50,94 | 54 | 1F | 8 | 24 | 38 | 21 | 27 |
| 35 | 55,70 | 59 | 1F | 8 | 24 | 38 | 21 | 27 |
| 36 | 57,31 | 63 | 1F | 8 | 24 | 38 | 21 | 27 |
| 38 | 60,48 | 66 | 1F | 8 | 26 | 40 | 21 | 27 |
| 40 | 63,66 | 66 | 1F | 8 | 26 | 40 | 21 | 27 |
| 42 | 66,84 | 71 | 1 | 8 | 26 | 40 | 21 | 27 |
| 44 | 70,20 | - | 1 | 8 | 29 | 45 | 21 | 27 |
| 45 | 71,62 | - | 1 | 8 | 31 | 45 | 21 | 27 |
| 48 | 76,39 | - | 1 | 8 | 32 | 50 | 21 | 27 |
| 54 | 85,94 | - | 1 | 8 | 35 | 55 | 21 | 27 |
| 57 | 90,72 | - | 1 | 8 | 38 | 60 | 21 | 27 |
| 60 | 95,49 | - | 1 | 8 | 42 | 65 | 21 | 27 |

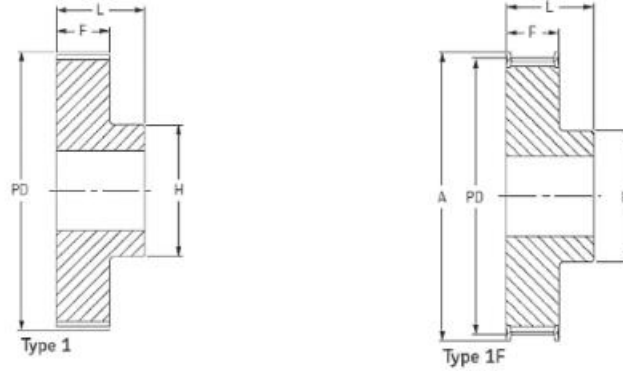
T5-AT5 ADIMLI METRİK TRİGER KASNAKLAR
(T5-AT5 PITCH METRIC TIMING BELT PULLEYS)
PİLOT DELİKLİ / Pilot Bore



T5-AT5 Kayış Geniřliđi 25 mm- Belt With 25 mm

| DİŐ SAYISI No teeth | ÇAP Diameter | | TİP Type | DELİK Bore | | BOYUTLAR Dimension | | |
|---------------------------|--------------|---------|-------------|------------|------------|--------------------|---------|---------|
| | P.D. mm | A mm | | Min. mm | Max. mm | H mm | F mm | L mm |
| 10 | 15,92 | 20 | 1F | 4 | 5 | 8 | 30 | 36 |
| 11 | 17,51 | 22 | 1F | 4 | 6 | 10 | 30 | 36 |
| 12 | 19,1 | 23 | 1F | 4 | 7 | 12 | 30 | 36 |
| 13 | 20,69 | 25 | 1F | 6 | 7,8 | 13 | 30 | 36 |
| 14 | 22,29 | 26 | 1F | 6 | 9 | 14 | 30 | 36 |
| 15 | 23,88 | 28 | 1F | 6 | 10 | 16 | 30 | 36 |
| 16 | 25,47 | 30 | 1F | 6 | 11 | 18 | 30 | 36 |
| 17 | 27,06 | 32 | 1F | 6 | 12 | 19 | 30 | 36 |
| 18 | 28,65 | 32 | 1F | 6 | 13 | 20 | 30 | 36 |
| 19 | 30,25 | 36 | 1F | 6 | 14 | 22 | 30 | 36 |
| 20 | 31,83 | 36 | 1F | 6 | 15 | 24 | 30 | 36 |
| 21 | 33,42 | 38 | 1F | 6 | 15 | 24 | 30 | 36 |
| 22 | 35,01 | 38 | 1F | 6 | 15 | 24 | 30 | 36 |
| 23 | 36,61 | 42 | 1F | 6 | 16 | 25 | 30 | 36 |
| 24 | 38,21 | 44 | 1F | 6 | 17 | 26 | 30 | 36 |
| 25 | 39,80 | 44 | 1F | 6 | 17 | 26 | 30 | 36 |
| 26 | 41,45 | 44 | 1F | 6 | 17 | 26 | 30 | 36 |
| 27 | 42,98 | 48 | 1F | 8 | 19 | 30 | 30 | 36 |
| 28 | 44,56 | 48 | 1F | 8 | 20 | 32 | 30 | 36 |
| 30 | 47,76 | 51 | 1F | 8 | 22 | 34 | 30 | 36 |
| 32 | 50,94 | 54 | 1F | 8 | 24 | 38 | 30 | 36 |
| 35 | 55,70 | 59 | 1F | 8 | 24 | 38 | 30 | 36 |
| 36 | 57,31 | 63 | 1F | 8 | 24 | 38 | 30 | 36 |
| 38 | 60,48 | 66 | 1F | 8 | 26 | 40 | 30 | 36 |
| 40 | 63,66 | 66 | 1F | 8 | 26 | 40 | 30 | 36 |
| 42 | 66,84 | 71 | 1 | 8 | 26 | 40 | 30 | 36 |
| 44 | 70,20 | - | 1 | 8 | 29 | 45 | 30 | 36 |
| 45 | 71,62 | - | 1 | 8 | 31 | 45 | 30 | 36 |
| 48 | 76,39 | - | 1 | 8 | 32 | 50 | 30 | 36 |
| 54 | 85,94 | - | 1 | 8 | 35 | 55 | 30 | 36 |
| 57 | 90,72 | - | 1 | 8 | 38 | 60 | 30 | 36 |
| 60 | 95,49 | - | 1 | 8 | 42 | 65 | 30 | 36 |

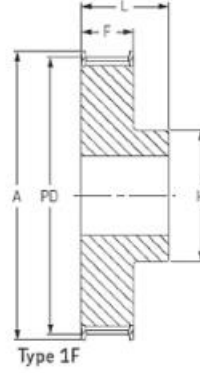
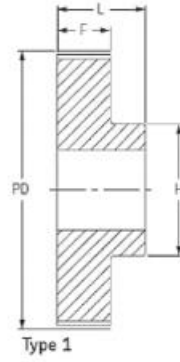
T10-AT10 ADIMLI METRİK TRİGER KASNAKLAR
(T10-AT10 PITCH METRIC TIMING BELT PULLEYS)
PİLOT DELİKLİ / Pilot Bore



T10-AT10 Kayış Geniřliđi 16 mm- Belt With 16 mm

| DİŐ SAYISI No teeth | ÇAP Diameter | | TİP Type | DELİK Bore | | BOYUTLAR Dimension | | |
|---------------------------|--------------|-----|-------------|------------|------|--------------------|----|----|
| | P.D. | A | | Min. | Max. | H | F | L |
| | mm | mm | | mm | mm | mm | mm | mm |
| 12 | 38,2 | 42 | 1F | 6 | 18 | 28 | 21 | 31 |
| 13 | 41,38 | 44 | 1F | 6 | 19 | 32 | 21 | 31 |
| 14 | 44,56 | 48 | 1F | 8 | 21 | 32 | 21 | 31 |
| 15 | 47,75 | 51 | 1F | 8 | 21 | 32 | 21 | 31 |
| 16 | 50,93 | 54 | 1F | 8 | 23 | 35 | 21 | 31 |
| 17 | 54,11 | 58 | 1F | 8 | 24 | 38 | 21 | 31 |
| 18 | 57,29 | 60 | 1F | 8 | 26 | 40 | 21 | 31 |
| 19 | 60,48 | 66 | 1F | 8 | 28 | 44 | 21 | 31 |
| 20 | 63,66 | 66 | 1F | 8 | 30 | 46 | 21 | 31 |
| 21 | 66,85 | 71 | 1F | 8 | 36 | 48 | 21 | 31 |
| 22 | 70,03 | 75 | 1F | 8 | 34 | 52 | 21 | 31 |
| 23 | 73,21 | 77 | 1F | 8 | 36 | 55 | 21 | 31 |
| 24 | 76,39 | 83 | 1F | 8 | 38 | 58 | 21 | 31 |
| 25 | 79,58 | 83 | 1F | 8 | 39 | 60 | 21 | 31 |
| 26 | 82,76 | 87 | 1F | 8 | 39 | 60 | 21 | 31 |
| 27 | 85,95 | 91 | 1F | 8 | 39 | 60 | 21 | 31 |
| 28 | 89,25 | 93 | 1F | 8 | 39 | 60 | 21 | 31 |
| 30 | 95,49 | 99 | 1F | 8 | 39 | 60 | 21 | 31 |
| 32 | 101,86 | 106 | 1F | 10 | 42 | 65 | 21 | 31 |
| 35 | 111,41 | 115 | 1F | 10 | 45 | 70 | 21 | 31 |
| 36 | 114,59 | 119 | 1F | 10 | 45 | 70 | 21 | 31 |
| 38 | 120,96 | 125 | 1F | 10 | 48 | 75 | 21 | 31 |
| 40 | 127,32 | 131 | 1F | 10 | 52 | 80 | 21 | 31 |
| 42 | 133,69 | - | 1 | 10 | 52 | 80 | 21 | 31 |
| 44 | 140,06 | - | 1 | 10 | 57 | 88 | 21 | 31 |
| 45 | 143,24 | - | 1 | 16 | 57 | 90 | 21 | 31 |
| 48 | 152,78 | - | 1 | 16 | 62 | 95 | 21 | 31 |
| 54 | 171,89 | - | 1 | 16 | 66 | 100 | 21 | 31 |
| 57 | 181,44 | - | 1 | 16 | 66 | 110 | 21 | 31 |
| 60 | 190,98 | - | 1 | 16 | 72 | 110 | 21 | 31 |

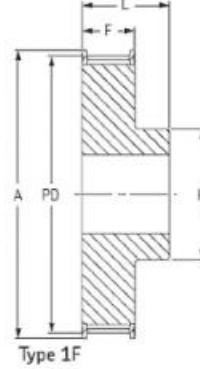
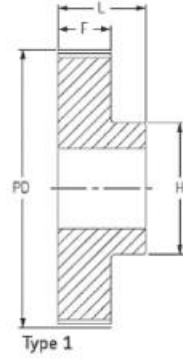
T10-AT10 ADIMLI METRİK TRİGER KASNAKLAR
(T10 PITCH METRIC TIMING BELT PULLEYS)
PİLOT DELİKLİ / Pilot Bore



T10-AT10 Kayış Geniřlięi 25 mm- Belt With 25 mm

| Diř SAYISI No teeth | ÇAP Diameter | | TİP Type | DELİK Bore | | BOYUTLAR Dimension | | |
|------------------------|--------------|-----|-------------|------------|------|--------------------|----|----|
| | P.D. | A | | Min. | Max. | H | F | L |
| | mm | mm | | mm | mm | mm | mm | mm |
| 12 | 38,2 | 42 | 1F | 6 | 18 | 28 | 30 | 40 |
| 13 | 41,38 | 44 | 1F | 6 | 19 | 32 | 30 | 40 |
| 14 | 44,56 | 48 | 1F | 8 | 21 | 32 | 30 | 40 |
| 15 | 47,75 | 51 | 1F | 8 | 21 | 32 | 30 | 40 |
| 16 | 50,93 | 54 | 1F | 8 | 23 | 35 | 30 | 40 |
| 17 | 54,11 | 58 | 1F | 8 | 24 | 38 | 30 | 40 |
| 18 | 57,29 | 60 | 1F | 8 | 26 | 40 | 30 | 40 |
| 19 | 60,48 | 66 | 1F | 8 | 28 | 44 | 30 | 40 |
| 20 | 63,66 | 66 | 1F | 8 | 30 | 46 | 30 | 40 |
| 21 | 66,85 | 71 | 1F | 8 | 36 | 48 | 30 | 40 |
| 22 | 70,03 | 75 | 1F | 8 | 34 | 52 | 30 | 40 |
| 23 | 73,21 | 77 | 1F | 8 | 36 | 55 | 30 | 40 |
| 24 | 76,39 | 83 | 1F | 8 | 38 | 58 | 30 | 40 |
| 25 | 79,58 | 83 | 1F | 8 | 39 | 60 | 30 | 40 |
| 26 | 82,76 | 87 | 1F | 8 | 39 | 60 | 30 | 40 |
| 27 | 85,95 | 91 | 1F | 8 | 39 | 60 | 30 | 40 |
| 28 | 89,25 | 93 | 1F | 8 | 39 | 60 | 30 | 40 |
| 30 | 95,49 | 99 | 1F | 8 | 39 | 60 | 30 | 40 |
| 32 | 101,86 | 106 | 1F | 10 | 42 | 65 | 30 | 40 |
| 35 | 111,41 | 115 | 1F | 10 | 45 | 70 | 30 | 40 |
| 36 | 114,59 | 119 | 1F | 10 | 45 | 70 | 30 | 40 |
| 38 | 120,96 | 125 | 1F | 10 | 48 | 75 | 30 | 40 |
| 40 | 127,32 | 131 | 1F | 10 | 52 | 80 | 30 | 40 |
| 42 | 133,69 | - | 1 | 10 | 52 | 80 | 30 | 40 |
| 44 | 140,06 | - | 1 | 10 | 57 | 88 | 30 | 40 |
| 45 | 143,24 | - | 1 | 16 | 57 | 90 | 30 | 40 |
| 48 | 152,78 | - | 1 | 16 | 62 | 95 | 30 | 40 |
| 54 | 171,89 | - | 1 | 16 | 66 | 100 | 30 | 40 |
| 57 | 181,44 | - | 1 | 16 | 66 | 110 | 30 | 40 |
| 60 | 190,98 | - | 1 | 16 | 72 | 110 | 30 | 40 |

T10-AT10 ADIMLI METRİK TRİGER KASNAKLAR
(T10-AT10 PITCH METRIC TIMING BELT PULLEYS)
PİLOT DELİKLİ / Pilot Bore

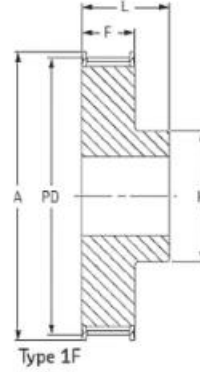
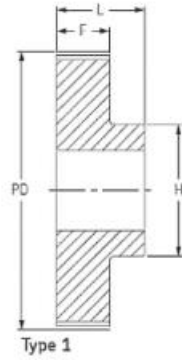


T10-AT10

Kayış Geniřlięi 32 mm- Belt With 32 mm

| Diř SAYISI No teeth | ÇAP Diameter | | TİP Type | DELİK Bore | | BOYUTLAR Dimension | | |
|------------------------|--------------|-----|-------------|------------|------|--------------------|----|----|
| | P.D. | A | | Min. | Max. | H | F | L |
| | mm | mm | | mm | mm | mm | mm | mm |
| 18 | 57,29 | 60 | 1F | 10 | 26 | 40 | 37 | 47 |
| 19 | 60,48 | 66 | 1F | 10 | 28 | 44 | 37 | 47 |
| 20 | 63,66 | 66 | 1F | 12 | 30 | 46 | 37 | 47 |
| 21 | 66,85 | 71 | 1F | 12 | 36 | 48 | 37 | 47 |
| 22 | 70,03 | 75 | 1F | 12 | 34 | 52 | 37 | 47 |
| 23 | 73,21 | 77 | 1F | 12 | 36 | 55 | 37 | 47 |
| 24 | 76,39 | 83 | 1F | 12 | 38 | 58 | 37 | 47 |
| 25 | 79,58 | 83 | 1F | 12 | 39 | 60 | 37 | 47 |
| 26 | 82,76 | 87 | 1F | 12 | 39 | 60 | 37 | 47 |
| 27 | 85,95 | 91 | 1F | 12 | 39 | 60 | 37 | 47 |
| 28 | 89,25 | 93 | 1F | 12 | 39 | 60 | 37 | 47 |
| 30 | 95,49 | 99 | 1F | 12 | 39 | 60 | 37 | 47 |
| 32 | 101,86 | 106 | 1F | 12 | 42 | 65 | 37 | 47 |
| 35 | 111,41 | 115 | 1F | 16 | 45 | 70 | 37 | 47 |
| 36 | 114,59 | 119 | 1F | 16 | 45 | 70 | 37 | 47 |
| 38 | 120,96 | 125 | 1F | 16 | 48 | 75 | 37 | 47 |
| 40 | 127,32 | 131 | 1F | 16 | 52 | 80 | 37 | 47 |
| 42 | 133,69 | - | 1 | 16 | 52 | 80 | 37 | 47 |
| 44 | 140,06 | - | 1 | 16 | 57 | 88 | 37 | 47 |
| 45 | 143,24 | - | 1 | 16 | 57 | 90 | 37 | 47 |
| 48 | 152,78 | - | 1 | 16 | 62 | 95 | 37 | 47 |
| 54 | 171,89 | - | 1 | 16 | 66 | 100 | 37 | 47 |
| 57 | 181,44 | - | 1 | 16 | 66 | 110 | 37 | 47 |
| 60 | 190,98 | - | 1 | 16 | 72 | 110 | 37 | 47 |

T10-AT10 ADIMLI METRİK TRİGER KASNAKLAR
(T10 –AT10 PITCH METRIC TIMING BELT PULLEYS)
PILOT DELİKLİ / Pilot Bore



T10-AT10

Kayış Geniřlięi 50 mm- Belt With 50 mm

| DİŐ SAYISI No teeth | ÇAP Diameter | | TİP Type | DELİK Bore | | BOYUTLAR Dimension | | |
|---------------------------|--------------|---------|-------------|------------|------------|--------------------|---------|---------|
| | P.D. mm | A mm | | Min. mm | Max. mm | H mm | F mm | L mm |
| 18 | 57,29 | 60 | 1F | 10 | 26 | 40 | 56 | 66 |
| 19 | 60,48 | 66 | 1F | 10 | 28 | 44 | 56 | 66 |
| 20 | 63,66 | 66 | 1F | 12 | 30 | 46 | 56 | 66 |
| 21 | 66,85 | 71 | 1F | 12 | 36 | 48 | 56 | 66 |
| 22 | 70,03 | 75 | 1F | 12 | 34 | 52 | 56 | 66 |
| 23 | 73,21 | 77 | 1F | 12 | 36 | 55 | 56 | 66 |
| 24 | 76,39 | 83 | 1F | 12 | 38 | 58 | 56 | 66 |
| 25 | 79,58 | 83 | 1F | 12 | 39 | 60 | 56 | 66 |
| 26 | 82,76 | 87 | 1F | 12 | 39 | 60 | 56 | 66 |
| 27 | 85,95 | 91 | 1F | 12 | 39 | 60 | 56 | 66 |
| 28 | 89,25 | 93 | 1F | 12 | 39 | 60 | 56 | 66 |
| 30 | 95,49 | 99 | 1F | 12 | 39 | 60 | 56 | 66 |
| 32 | 101,86 | 106 | 1F | 12 | 42 | 65 | 56 | 66 |
| 35 | 111,41 | 115 | 1F | 16 | 45 | 70 | 56 | 66 |
| 36 | 114,59 | 119 | 1F | 16 | 45 | 70 | 56 | 66 |
| 38 | 120,96 | 125 | 1F | 16 | 48 | 75 | 56 | 66 |
| 40 | 127,32 | 131 | 1F | 16 | 52 | 80 | 56 | 66 |
| 42 | 133,69 | - | 1 | 16 | 52 | 80 | 56 | 66 |
| 44 | 140,06 | - | 1 | 16 | 57 | 88 | 56 | 66 |
| 45 | 143,24 | - | 1 | 16 | 57 | 90 | 56 | 66 |
| 48 | 152,78 | - | 1 | 16 | 62 | 95 | 56 | 66 |
| 54 | 171,89 | - | 1 | 16 | 66 | 100 | 56 | 66 |
| 57 | 181,44 | - | 1 | 16 | 66 | 110 | 56 | 66 |
| 60 | 190,98 | - | 1 | 16 | 72 | 110 | 56 | 66 |